

Now You're *Rollin'* in the Dough!



With Hatco Conveyor Toasters,
More capacity offers you more versatility!



Model
TQ-1800H

NEW



Whether you want to toast French bread, rye bread, hoogie buns, breadsticks, bagels or three slices of bread at once, the Hatco Toast-Qwik® TQ-1800H series can handle it. Product up to 14" (356 mm) wide will easily fit onto the conveyor feed guide and be toasted quickly. In addition you benefit from the standard Toast-Qwik features:

- Delivers up to 1800 slices per hour
- Patented ColorGuard sensing system assures toast uniformity
- Electronic infinite controls regulate top and bottom heat
- Electronic conveyor speed control
- Easy-to-load rack with front or rear discharge
- Power save mode conserves energy and saves money
- 3" (76 mm) high openings for all types of bread products
- Sturdy, compact construction built for long-lasting durability
- Aluminum toast collector tray prevents condensation
- Removable crumb tray for easy cleaning
- Insulation and interior fan provide cool surface temperatures
- Heating elements guaranteed against burnout and breakage for two years
- Permanently lubricated ball bearing motor
- 6' (1829 mm) cord and plug

For "Best in Class" durability, maximum performance,
and dependable service, you get more value
for your dollar with Hatco.



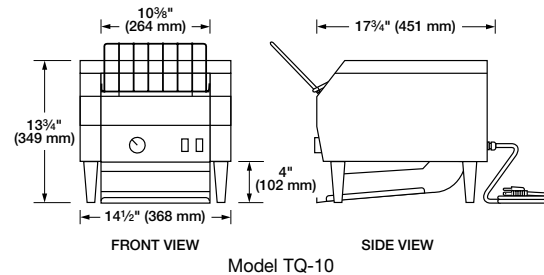
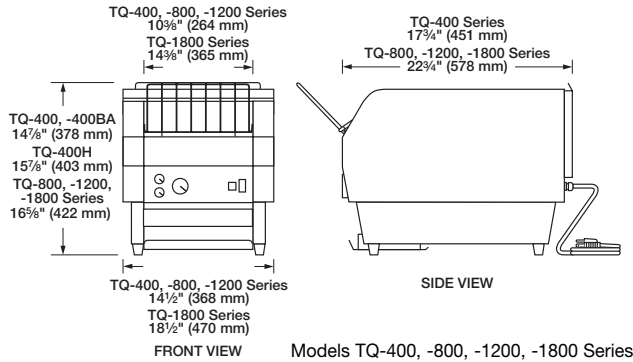
Nothing less than the best.™





TOAST-QWIK[®] ELECTRIC CONVEYOR TOASTERS

Models TQ-400, -400BA, -400H, -800, -800BA, -800H, -800HBA, -1200, -1800, -1800BA, -1800H, -1800HBA, -10



DIMENSIONS

TQ-400, -400BA: 14½"W x 17¾"D x 14⅞"H (368 x 451 x 378 mm).
TQ-400H: 14½"W x 17¾"D x 15⅞"H (368 x 451 x 403 mm).

Tray extends 2½" (64 mm) in rear.

TQ-800 Series, -1200:

14½"W x 22¾"D x 16⅞"H (368 x 578 x 422 mm).

Tray extends 6½" (165 mm) in rear.

TQ-1800 Series: 18½"W x 22¾"D x 16⅞"H (470 x 578 x 422 mm).

Tray extends 6½" (165 mm) in rear.

TQ-10: 14½"W x 17¾"D x 13¾"H (368 x 451 x 349 mm).

Maximum Product Size:

TQ-400, -400BA, -800, -800BA, -1200: 9⅝"W x 1¾"H (244 x 44 mm).

TQ-400H, -800H, -800HBA: 9⅝"W x 2¾"H (244 x 70 mm).

TQ-1800, -1800BA: 14¼"W x 1¾"H (362 x 44 mm).

TQ-1800H, -1800HBA: 14¼"W x 2¾"H (362 x 70 mm).

TQ-10: 9⅝"W x 1½"H (244 x 38 mm).

VOLTAGE

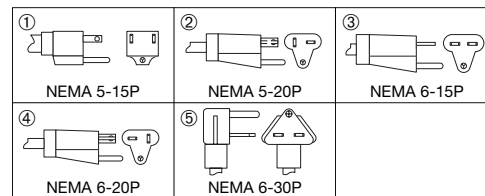
TQ-400 Series, -800 series, -1200, -10: 120, 208 and 240 volts, 60 Hz, single phase.

TQ-1800 Series: 208 and 240 volts, 60 Hz, single phase.

CORD LOCATION

Bottom right corner on back of unit.

PLUG CONFIGURATIONS



AMP RATING & PLUG SUPPLIED

Model	120V	208V	240V
TQ-400	15.0 amps ①②*	10.7 amps ③	9.3 amps ③
TQ-400BA	14.8 amps ①②*	9.0 amps ③	7.8 amps ③
TQ-400H	—	10.7 amps ③	9.3 amps ③
TQ-800, -800H	—	16.0 amps ④	13.9 amps ③④*
TQ-800BA, -800HBA	—	15.8 amps ④	13.7 amps ③④*
TQ-1200	—	19.4 amps ⑤	16.8 amps ⑤
TQ-1800	—	21.4 amps ⑤	18.5 amps ⑤
TQ-1800H	—	22.4 amps ⑤	19.4 amps ⑤
TQ-1800BA, -1800HBA	—	22.0 amps ⑤	19.1 amps ⑤
TQ-10	15.0 amps ①②*	8.8 amps ③	7.6 amps ③

*②④ For Canada.

SPECIFICATIONS

Model	kW	Type	Cap./Min.†	Shipping Weight
TQ-400	1.8*	All	6 slices	46 lbs. (21 kg)
TQ-400BA	1.8	Bagels or Buns	6 slices	46 lbs. (21 kg)
TQ-400H	2.2	All	6 slices	48 lbs. (22 kg)
TQ-800	3.3	All	14 slices	52 lbs. (24 kg)
TQ-800BA	3.3	Bagels or Buns	14 slices	52 lbs. (24 kg)
TQ-800H	3.3	All	14 slices	52 lbs. (24 kg)
TQ-800HBA	3.3	Bagels or Buns	14 slices	52 lbs. (24 kg)
TQ-1200	4.0	All	20 slices	52 lbs. (24 kg)
TQ-1800	4.4	All	30 slices	75 lbs. (34 kg)
TQ-1800BA	4.6	Bagels or Buns	30 slices	75 lbs. (34 kg)
TQ-1800H	4.6	All	30 slices	75 lbs. (34 kg)
TQ-1800HBA	4.6	Bagels or Buns	30 slices	75 lbs. (34 kg)
TQ-10	1.8	All	5 slices	34 lbs. (15 kg)

† Toasting capacity may vary by product. Toasting of coated products is not recommended.

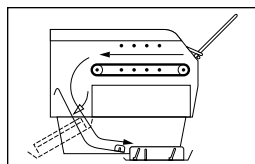
* 120 volts only. 2.2 kW for 208 and 240 volt models.

Toast-Qwik can be shipped United Parcel Service or Roadway Package System.

Selector Chart

(Based on serving 2 slices per customer.)

Number of Customers	Serving Time			
	TQ-400, -400BA, -400H, TQ-10	TQ-800, -800BA, -800H, -800HBA	TQ-1200	TQ-1800, -1800H, -1800BA, -1800HBA
30	12 Minutes	5 Minutes	3 Minutes	2 Minutes
60	24 Minutes	9 Minutes	6 Minutes	4 Minutes
90	36 Minutes	13 Minutes	9 Minutes	6 Minutes
120	48 Minutes	18 Minutes	12 Minutes	8 Minutes



Product Flow

OPTIONS (NOT FOR RETROFIT)

- Automatic Power Save Mode (TQ-400, -800, -1200, -1800 Series only)
- Extended Feed Guide (Adds 3" (76 mm)) (TQ-400, -800, -1200 Series only)
- Control Cover

PRODUCT SPECS

Conveyor Toaster

The electric Conveyor Toaster shall be a Hatco Modelas manufactured by the Hatco Corporation, Milwaukee, WI 53234 U.S.A.

The toaster shall have the capacity to toast up topieces per minute and it shall be rated atkW,volts, single phase.

The toaster shall be of stainless steel (or aluminized TQ-10) design and shall include a front mounted control panel with

ACCESSORIES

- 20 Amp Receptacle, 125V (NEMA 5-20R)
- 20 Amp Receptacle, 250V (NEMA 6-20R)
- 30 Amp Receptacle, 250V (NEMA 6-30R)

state-of-the-art electronic top and bottom heat controls, ColorGuard sensing system (patented), variable speed control, power save mode with indicator light and a toast collector pan (except TQ-10).

The toaster will have metal sheathed heating elements and factory attached UL listed cord and plug.

TQ-10 will have a durable painted steel top and aluminized steel construction with controls for power, heating elements, and conveyor speed.

